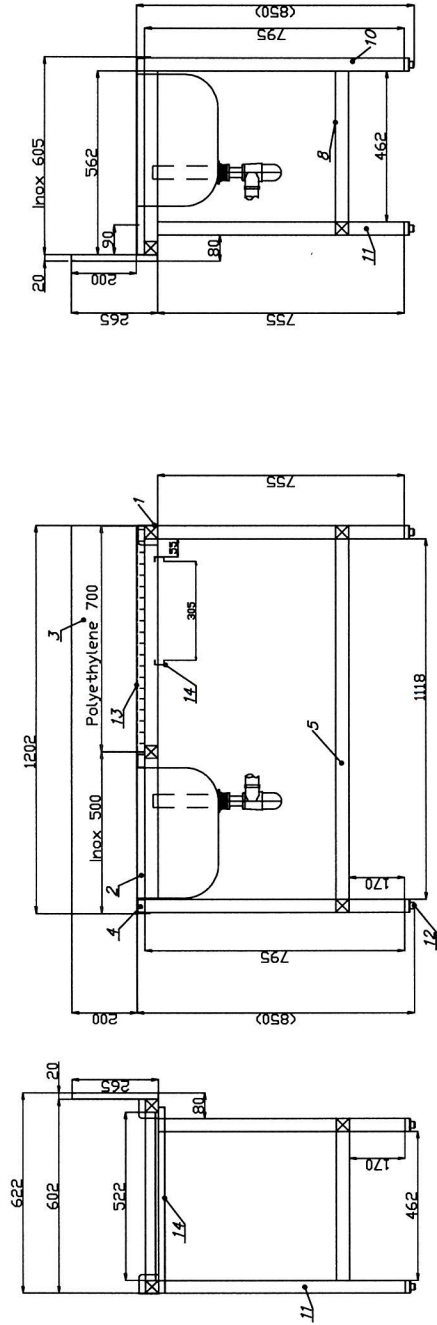


M-STPP126-25 - 25-26 kg



No drawing	Name	mater.	qty
1	M-STPP126-25.01	Plate for polyethylene	2
2	M-STPP126-25.02	Working top 500x605x40	1
3	M-STPP126-25.03	Back splash 1402x265x20	1
4	M-STPP126-25.04	Reinforcing profil for working top L=600	3
5		Tube 40x40x1 L=1118	3
6		Tube 40x40x1 L=602	1
7		Tube 40x40x1 L=562	1
8		Tube 40x40x1 L=462	2
9		Tube 40x40x1 L=520	1
10		Tube 40x40x1 L=795	1
11		Tube 40x40x1 L=755	4
12		Adjustable feet	6
13		Polyethylene 700x600x25 - L2G	
14		Guide for GN 1/1 L=577	2

304